

ELEVAN[®] 5 picking

E5P100

TECHNICAL DATA



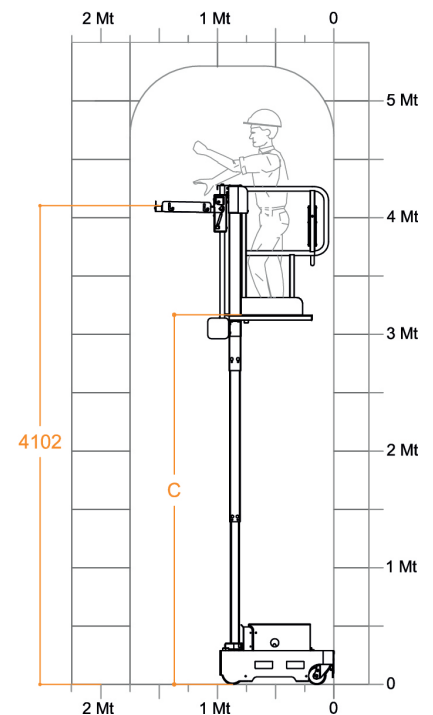
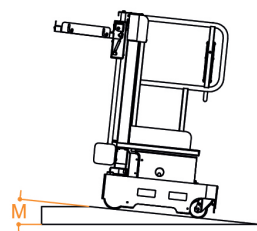
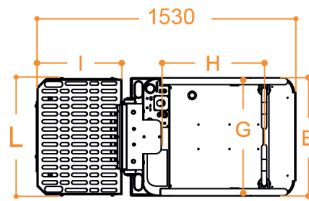
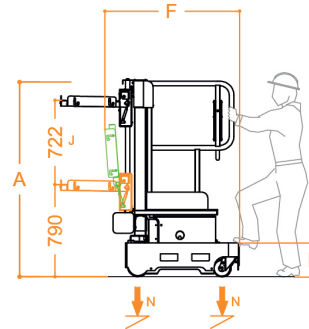
Max. working height		5,15 m
Max capacity		200 kg
Number of people		1
Use		internal-external
A	Closed machine height	1690 mm
B	Minimum platform height*	289 mm
C	Maximum platform height	3150 mm
D/E/F	Base overall dimensions	1530/ 700 /1152 mm
G/H	Cage dimensions	685 x 600 mm
Machine weight		640 kg (with electrical picking platform) 590 kg (with removable picking platform)
Drive wheels dimension		Ø 186 x 60
Swivel wheels dimensions		Ø 150 x 40

PICKING PLATFORM

I/L	Dimensions	500 x 680 mm
Adjustment		electrical
J	Stroke	722 mm
Min. height from the ground		790 mm
Maximum height from the ground		4102 mm
Capacity		100 kg

PERFORMANCE

Power supply		electrical 24V
Batteries		2 Trojan Lead-Acid 12V 105 Ah
Battery charger		110V - 220V
Climbing ability at height		5,5%
M	Maximum climbing ability	15%
Internal turning radius		0
Max. speed (rising – descending)		0,20 m/s
Maximum shifting speed (on the ground - at height)		0,70 - 0,25 m/s
N	Maximum pressure for wheel at full load**	2,9 kN
Work cycles*** (with fresh batteries)		100



* There is an intermediate step.

** Maximum pressure whereas the weight of the platform plus the maximum load on the basket are completely distributed on one side of the platform (totally asymmetric load).

*** By work cycle we mean a self-propelled movement of 20 m with a full ascent to and descent from the maximum height and with adjustment of the loading platform.

CE Complies with European regulations for man-up forklift trucks. UNI EN ISO 3691-1.

Watch our Corporate Video

Click or scan using your phone camera



UNITED
Forklift and
Access Solutions

☎ 131 607 www.unitedequipment.com.au

SALES | RENTALS | SERVICE | PARTS | FINANCE | TRAINING
Perth | Bunbury | Darwin | Adelaide | Brisbane | Toowoomba
Rockhampton | Mackay | Sydney | Melbourne | Ballarat | Devonport