



Reach Trucks

Capacity: 0.9 - 3.0 ton



Quality

Reliability

Customer Service



ELECTRIC SIT-ON REACH TRUCK

Capacity: 0.9 - 3.0 ton

www.catlifttruck.com.sg

© 2015 by MCFS. All rights reserved. CAT, CATERPILLAR, their respective logos, "Caterpillar Yellow" and the POWER EDGE trade dress, as well as corporate and product identity used herein, are trademarks of Caterpillar and may not be used without permission. All registered trademarks are the property of their respective owners. Some products may be shown with optional equipment. Printed in Singapore.

FCAT0075-03

01/15





Available in 9 different capacities with 3 chassis options and with standard & high performance models, the NRS-CA/B series reach trucks are ready to tackle a wide range of demanding applications.

NRS-CA/B Series

Our NRS-CA/B series reach trucks are fully equipped with productivity-boosting features designed to meet your high demands.

Standard Features :

- Easy-to-Read Vacuum Fluorescent Display Panel
- Hour Meter
- Electric Horn
- Compact Steering Handle
- Power Mode Selection Switch
- Head Lights
- Battery Box
- Battery Discharge Indicator
- Battery Side Loading Type (Battery Stand Included)
- Overhead Guard
- Backrest
- Auto Suspension
- Solid Rubber Wheel (Drive/Castor/Load)
- Tool Kit
- AC Control System
- AC Inverter Control for Traction and Hydraulics

- Mast and Travel Interlock
- Regenerative Functions
- Self Diagnostic System
- Soft-Landing Function of Forks

Options:

- Rotating Beacon Lamp
- Back-Up Alarm
- Dust Resistant Specification
- Rust Resistant Specification
- Cold Storage Specification
- AOS Preset Lifting Height Memory
- Laser Beam to Guide Fork Positioning
- Automatic Lift Lock
- Lift Limit
- High-Performance Type

Model	Capacity (kg) @ 500mm LC	Battery Voltage / Amp Hr (5 hours)
NRS9CA	900 (400mm LC)	24/280
NRS9LCA	900	24/280
NRS10CA	1000	24/390
NRS13CA	1250	24/390
NRS13LCA	1250	24/390
NRS10WCA	1000	48/201
NRS13WCA	1250	48/201
NRS13WLCA	1250	48/201
NRS14CA	1350	48/210
NRS14LCA	1350	48/210
NRS15CA	1500	48/280
NRS15LCA	1500	48/280
NRS18LCA	1800	48/280
NRS20CA	2000	48/320
NRS20LCA	2000	48/320
NRS25CA	2500	48/320
NRS25LCA	2500	48/320
NRS30CB	3000	48/370
NRS30LCB	3000	48/370





Today's demanding warehouse applications call for a new generation of reach trucks. The innovative NRS-CA/B Series reach trucks are designed to deliver what you need, every day, every shift.



More Comfort Means Greater Productivity

The NRS-CA/B series cabin compartment is ergonomically designed to fit the operator so as to maintain the optimal driving posture. There is a large waist pad adjustable according to the height of the operator. Large knee pads are also installed as standard items. The pads provide cushioning, increase comfort level and reduce impact-stress injury. Also, a large brake pedal facilitates usage and enhances comfort and safety.



Information When It's Needed

The vacuum fluorescent display (VFD) is located at the front of the operator's compartment to allow quick access to important information. It offers better visibility under direct sunlight and bright conditions when compared to LCD displays. Data on traveling speed, battery discharge status, current time and key-on hours are displayed in real time.



Added Operator Protection

A floating floor plate with floor switch cuts off hydraulic and transmission power if the operator leaves his operating position. This advanced Mast and Travel Interlock system helps protect the operator and load by initiating a series of protective actions:

- The drive function is temporarily disengaged
- Power temporarily disconnects from the hydraulic lift functions

Neutral Safety System also prevents potential accidents caused by unexpected movement of the lift truck at key-on.

Programmed To Meet Your Needs

The NRS-CA/B Cat reach trucks can be configured to function at a particular power level to suit the required tasks. Eight driving modes can be chosen from the energy-saving "ECONOMY" to the high-performing "POWER" modes according to job requirements. This ensures optimal power is used for the job with superior performance and energy savings.

Top Of The Class Stability

The low centre of gravity increases the stability of the NRS-CA/B series reach truck, minimising capacity degradation when lifting to higher racks. The tendency to rollover during turning is countered by an intelligent suspension system. Together with the low centre of gravity, stability during movement is enhanced.

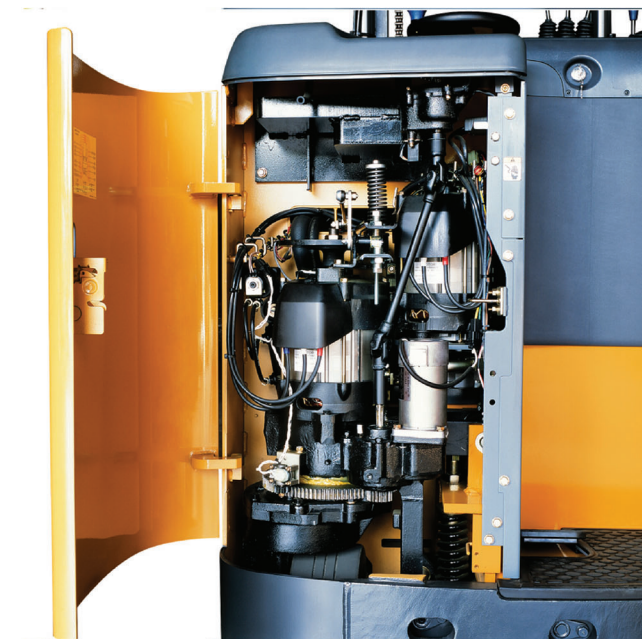
Reliability



Demanding applications require a reach truck you can demand a lot from - one that performs to the highest standards, shift after shift, operator after operator.

More Power With Less Energy

The intelligent Advanced AC provides smooth and efficient power to the traction and hydraulic motors in the NRS-CA/B series reach trucks. With high-capacity motors installed, powerful acceleration even on an upslope is evident and the advanced electronics built-in gives the operator very precise inching control. Noise levels are kept at a minimum for a more productive work environment. Maintenance cost is also reduced due to the elimination of brushes in AC motors.



Diagnostics Improve Reliability

The NRS-CA/B series reach trucks integrate many easy-to-maintain features in the truck design. The on-board intelligent system is capable of running self-diagnosis at key-on and any malfunctions are rapidly identified, located and rectified within minutes. Vital components such as the controller, batteries and motors can be quickly accessed with simple tools, thereby effectively reducing servicing and maintenance time.

Protection Of Load

The NRS-CA/B series reach trucks are able to lift heavy goods to high shelves without significant degradation in power and capacity. When lowering loaded pallets, the mast's shock-reduction feature kicks in with soft landing, thereby preventing unnecessary damage to valuable cargo.

Energy Efficiency

Energy conservation is an important feature that Advanced AC exhibits in the NRS-CA/B series reach trucks. Power is ploughed back into the battery during simple activities like braking, plugging or even deceleration through the AC Energy Regeneration System. At rest, the reach truck shuts down automatically after 15 minutes of idling to conserve valuable battery power. This state-of-the-art technology prevents wasteful power consumption.

Anti-slip Function (on optional high performance H-type reach trucks)

On the NRS-CB high performance reach trucks, features are added to prevent skidding problems which frequently occur during turning and when operating in refrigerated and freezer warehouses. An electric load wheel brake is installed on the H-type NRS-CB series to increase overall traction on slippery floors during braking. Electric load wheel brakes are more reliable than hydraulic brakes as there is no possibility of brake failure due to oil evaporation or freezing.



Customer Service



Cat Lift Trucks is committed to providing industry-leading customer service, delivered by experienced and reliable material handling dealers. Cat Lift Trucks puts its customer's needs first, with one of the most comprehensive customer support programs in the business.

Dealers You Can Depend On

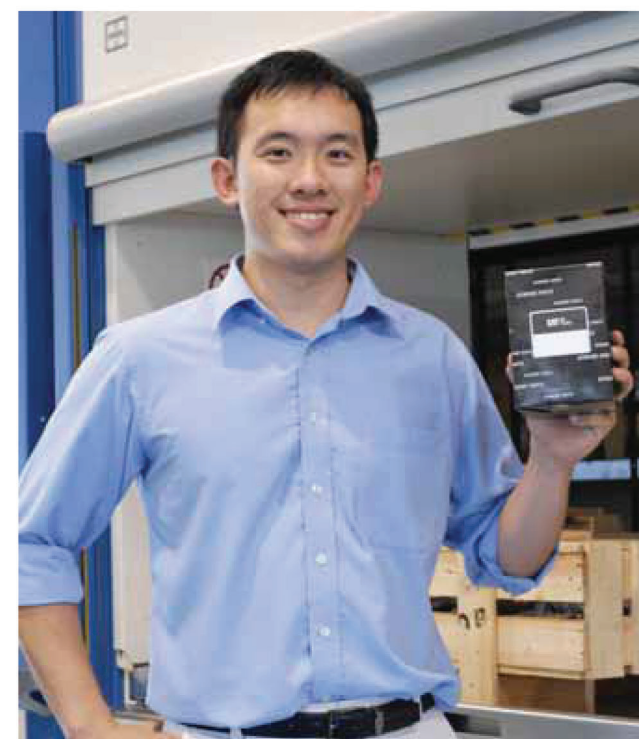
Cat® lift trucks dealers are unsurpassed, delivering superior customer service that sets us apart from the competition — before, during and after the sale.

Our dealers make available leading support programs with every new Cat lift truck you purchase, including:

- Genuine Cat lift truck OEM parts
- Planned Maintenance
- Rental fleet availability
- Convenient dealer branch locations

Planned Maintenance

Proper maintenance of your truck helps assure top performance over the long haul and helps extend truck longevity. That's why every Cat lift truck is backed by experienced and reliable dealers who make sure your truck is properly maintained. With Cat lift truck planned maintenance, you won't have to worry about scheduling maintenance or unexpected downtime. Regular planned maintenance calls are scheduled in advance to avoid interference with your operating schedules. Experiences Cat lift trucks service technicians will regularly perform all periodic maintenance including fluid and lubricant check for a predetermined rate. We'll even identify and fix potential problems before they become major difficulties.



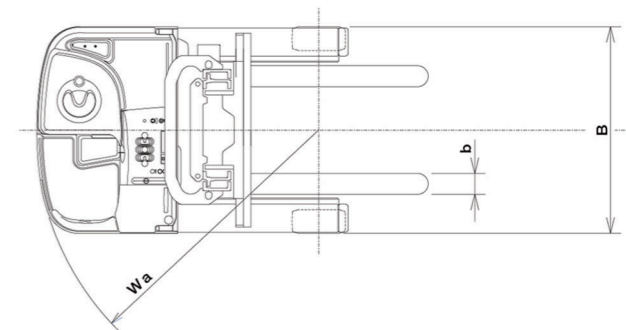
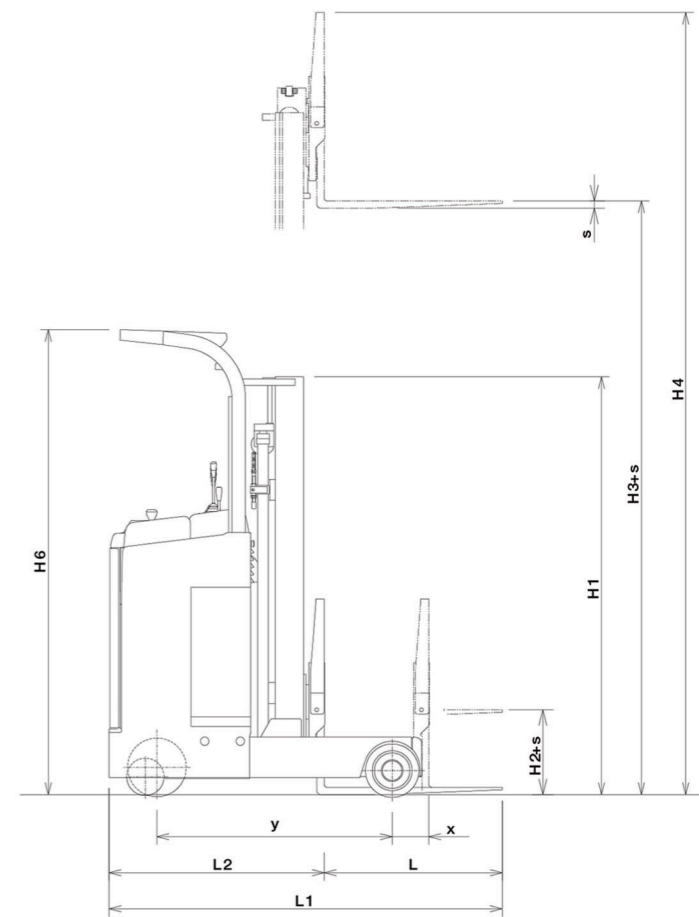
Lift Plus Powertrain Warranty *(optional)*

Confidence you can depend on — Cat Lift trucks are covered by one of the best powertrain warranties in the business. When you choose a Lift Plus warranty for your new Cat lift truck, you're getting long term protection against powertrain failures, which guarantees that if any major powertrain component fails, it will be replaced... it's that simple. And all Lift Plus warranty repair uses only genuine Cat lift truck parts.

With Lift Plus warranty, your investment is covered for 3 years or 5,000 hours, which ever occurs first. If a powertrain failure causes your lift truck to go down, you're covered.

SPECIFICATIONS

Type	Item	Summary	Unit	Standard Series																		
				NRS9CA	NRS9LCA	NRS10CA	NRS13CA	NRS13LCA	NRS14CA	NRS14LCA	NRS15CA	NRS15LCA	NRS18CA	NRS18LCA	NRS20CA	NRS20LCA	NRS25CA	NRS25LCA	NRS30CB	NRS30LCB		
1	Model			NRS9CA	NRS9LCA	NRS10CA	NRS13CA	NRS13LCA	NRS14CA	NRS14LCA	NRS15CA	NRS15LCA	NRS18CA	NRS18LCA	NRS20CA	NRS20LCA	NRS25CA	NRS25LCA	NRS30CB	NRS30LCB		
2	Rated Capacity		kg	900	900	1000	1250	1250	1350	1350	1500	1500	1800	1800	2000	2000	2500	2500	3000	3000		
3	Load Center		mm	400	500	500	500	500	500	500	500	500	500	500	500	500	500	500	500	500		
4	Motor Type			AC	AC	AC	AC	AC	AC	AC	AC	AC	AC	AC	AC	AC	AC	AC	AC	AC		
5	Operator Type			Stand-on	Stand-on	Stand-on	Stand-on	Stand-on	Stand-on	Stand-on	Stand-on	Stand-on	Stand-on	Stand-on	Stand-on	Stand-on	Stand-on	Stand-on	Stand-on	Stand-on		
Dimensions	6	Lift Height	H3+s	mm	3000	4000	3000	3000	4000	3000	4000	3000	4000	3000	4000	3000	4000	3000	4000	3000	4000	
	7	Free Lift	H2+s	mm	405	405	405	405	405	405	405	405	405	405	405	400	400	400	400	125	405	
	8	Tilt Angle	Upward / Downward	a/b	deg.	5/3	5/3	5/3	5/3	5/3	5/3	5/3	5/3	5/3	5/3	5/3	5/3	5/3	5/3	3/5	3/5	
	9	Fork Size	Length x Width x Thickness	L/b/s	mm	1070/100/35	1070/100/35	1070/100/35	1070/100/35	1070/100/35	1070/100/35	1070/100/35	1070/100/35	1070/100/35	1070/100/38	1070/100/38	1070/122/40	1070/122/40	1070/122/40	1070/122/40	1070/122/44	1070/122/44
	10	Length	Overall Length	L1	mm	2075	2075	2075	2075	2155	2200	2200	2200	2200	2205	2255	2320	2320	2320	2370	2460	2560
	11		Frame		mm	1392	1472	1672	1612	1692	1597	1697	1697	1877	1877	1927	1901	2071	2071	2141	2185	2385
	12		To Fork Face	L2	mm	1005	1005	1005	1005	1085	1130	1130	1130	1130	1135	1185	1250	1250	1250	1300	1390	1490
	13	Width	Overall Width	B	mm	990	990	990	990	990	1090	1090	1090	1090	1090	1090	1165	1165	1215	1215	1230	1230
	14	Between Legs			mm	655	655	655	655	655	750	750	750	750	750	750	795	795	795	795	795	795
	15	Frame			mm	990	990	990	990	990	1090	1090	1090	1090	1090	1090	1165	1165	1165	1165	1190	1190
	16	Mast Lowered Height		H1	mm	1995	2495	1995	1995	2495	1995	2495	1995	2495	1995	2495	2050	2550	2050	2550	2050	2550
	17	Mast Extended Height		H4	mm	3900	4900	3900	3900	4900	3900	4900	3900	4900	3900	4900	3950	4950	3950	4950	4050	5050
	18	Overhead Guard Height		H6	mm	2220	2220	2220	2220	2220	2220	2220	2220	2220	2220	2220	2330	2330	2330	2330	2280	2280
	19	Front Overhang		x	mm	175	175	175	175	175	175	175	175	175	180	180	180	180	180	180	190	190
20	Min. Turning Radius		Wa	mm	1260	1330	1330	1470	1560	1460	1555	1555	1735	1735	1785	1750	1940	1940	2000	2050	2250	
21	90° Turning Aisle*	1100 x 1100 Pallet		mm	1705	1730	1730	1790	1840	1820	1860	1860	1940	1940	1970	2000	2090	2120	2155	2160	2265	
22	90° Stacking Aisle*	1100 x 1100 Pallet	Ast	mm	2475	2480	2480	2510	2600	2610	2625	2625	2680	2680	2730	2765	2840	2840	2885	2970	3105	
Performance	23	Travel Speed	Laden / Unladen	Km/h	9.5/10.5	9.5/10.5	9.5/10.5	9.5/10.5	9.5/10.5	9.5/10.5	9.5/10.5	9.5/10.5	9.5/10.5	9.5/10.5	9.5/10.5	10/11.5	10/11.5	9.5/11.5	9.5/11.5	9.0/11.0	9.0/11.0	
	24	Lifting Speed	Laden / Unladen	mm/s	275/450	275/450	265/450	240/450	240/450	310/540	310/540	310/540	310/540	300/540	300/540	290/490	290/490	270/490	270/490	220/400	220/400	
	25	Max. Gradeability	3 min. rating, 1.5km/h and over	%	10/14.3	10/14.3	10/14.3	10/14.3	10/14.3	10/14.3	10/14.3	10/14.3	10/14.3	10/14.3	10/14.3	10/14.3	10/14.3	10/14.3	10/14.3	10/14.3	10/14.3	
	26	Service Weight	Without battery	kg	1450	1540	1480	1640	1800	1730	1780	1720	1820	1780	1920	2310	2440	2400	2530	3210	3390	
Wheels and Tires	27	Front, Load			ø255 x 114	ø255 x 114	ø255 x 114	ø255 x 114	ø255 x 114	ø255 x 114	ø255 x 114	ø255 x 114	ø255 x 114	ø255 x 114	ø267 x 114	ø267 x 114	ø267 x 135	ø267 x 135	ø267 x 135	ø267 x 135		
	28	Tyres	Rear, Drive		ø280 x 135	ø280 x 135	ø280 x 135	ø280 x 135	ø280 x 135	ø330 x 145	ø330 x 145	ø330 x 145	ø330 x 145	ø330 x 145	ø330 x 145	ø380 x 165	ø380 x 165	ø380 x 165	ø380 x 165	ø380 x 165		
	29		Rear, Caster		ø178 x 73	ø178 x 73	ø178 x 73	ø178 x 73	ø178 x 73	ø178 x 73	ø178 x 73	ø178 x 73	ø178 x 73	ø178 x 73	ø204 x 76	ø204 x 76	ø204 x 76	ø204 x 76	ø204 x 76	ø204 x 76		
	30	Wheelbase	y	mm	1040	1120	1120	1260	1260	1245	1345	1345	1525	1525	1525	1530	1700	1700	1770	1785	1985	
	31	Tread	Front	mm	876	876	876	876	876	976	976	976	976	976	976	1051	1051	1080	1080	1095	1095	
	32		Rear	mm	580	580	580	580	580	680	680	680	680	680	680	726	726	726	726	695	695	
33	Services brake	Mech. / Hydr. / Electr. / Pneum		Mech.	Mech.	Mech.	Mech.	Mech.	Mech.	Mech.	Mech.	Mech.	Mech.	Mech.	Mech.	Mech.	Mech.	Mech.	Mech.	Mech.		
34	Parking brake	Foot / Hand / Deadman		Deadman	Deadman	Deadman	Deadman	Deadman	Deadman	Deadman	Deadman	Deadman	Deadman	Deadman	Deadman	Deadman	Deadman	Deadman	Deadman	Deadman		
Drive Unit and Control	35	Battery	Voltage / Capacity hrs (5hr.Rating)	V/Ah	24/280	24/280	24/390	24/390	24/390	48/210	48/210	48/280	48/280	48/280	48/280	48/320	48/320	48/320	48/320	48/370	48/370	
	36		Weight	kg	230	230	290	290	290	400	400	450	450	450	450	520	520	520	520	575	575	
	37	Drive Motor	60 min. Rating	kw	2.6	2.6	2.6	2.6	2.6	4.3	4.3	4.3	4.3	4.3	4.3	5.0	5.0	5.0	5.0	5.0	5.0	
	38		Control		FET	FET	FET	FET	FET	FET	FET	FET	FET	FET	FET	FET	FET	FET	FET	FET	FET	FET
	39	Hydraulic Motor	5 min. Rating	kw	6.0	6.0	6.0	6.0	6.0	8.8	8.8	8.8	8.8	8.8	8.8	11.0	11.0	11.0	11.0	11.0	11.0	
	40		Control		FET	FET	FET	FET	FET	FET	FET	FET	FET	FET	FET	FET	FET	FET	FET	FET	FET	FET
	41	Power Steering Motor	60 min. Rating	kw	0.15	0.15	0.15	0.15	0.15	0.3	0.3	0.3	0.3	0.3	0.3	0.3	0.3	0.3	0.3	0.3	0.3	
	42		Control		Chopper	Chopper	Chopper	Chopper	Chopper	Chopper	Chopper	Chopper	Chopper	Chopper	Chopper	Chopper	Chopper	Chopper	Chopper	Chopper	Chopper	Chopper
43	Charge (Option)	Type (Built-in / Stationary)		Stationary	Stationary	Stationary	Stationary	Stationary	Stationary	Stationary	Stationary	Stationary	Stationary	Stationary	Stationary	Stationary	Stationary	Stationary	Stationary	Stationary		
44		Charging Method		Automatic	Automatic	Automatic	Automatic	Automatic	Automatic	Automatic	Automatic	Automatic	Automatic	Automatic	Automatic	Automatic	Automatic	Automatic	Automatic	Automatic		
45		Input	V	3/400	3/400	3/400	3/400	3/400	3/400	3/400	3/400	3/400	3/400	3/400	3/400	3/400	3/400	3/400	3/400	3/200	3/200	
46		Capacity	kVA	2.4	2.4	3.4	3.4	3.4	3.4	3.8	3.8	4.7	4.7	4.7	4.7	4.7	4.7	4.7	4.7	5.2	5.2	



* Included 200mm for clearance